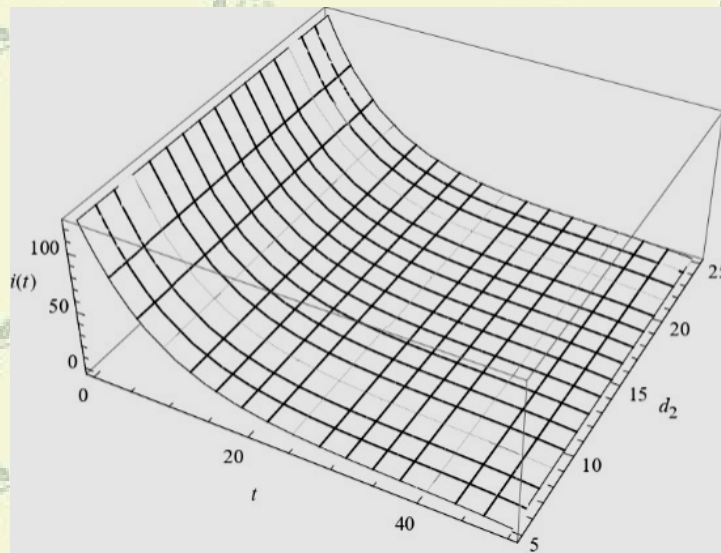


# Network Biology

Vol. 14, No. 3, 1 September 2024



ISSN 2220-8879



9 772220 887006 >

International Academy of Ecology and Environmental Sciences

# Network Biology

ISSN 2220-8879 | CODEN NBEICS

Volume 14, Number 3, 1 September 2024

## Editor-in-Chief

WenJun Zhang

Sun Yat-sen University, China

International Academy of Ecology and Environmental Sciences, Hong Kong

E-mail: zhwj@mail.sysu.edu.cn, wjzhang@iaees.org

## Editorial Board

Andre Bianconi (Sao Paulo State University (Unesp), Brazil)

Danail Bonchev (Virginia Commonwealth University, USA)

Jake Chen (University of Alabama at Birmingham School of Medicine, USA)

Daniela Cianelli (University of Naples Parthenope, Italy)

Alessandro Ferrarini (University of Parma, Italy)

Yongqun He (University of Michigan, USA)

Shruti Jain (Jaypee University of Information Technology, India)

Sarath Chandra Janga (Indiana University Purdue University at Indianapolis, USA)

Istvan Karsai (East Tennessee State University, USA)

Caner Kazanci (University of Georgia, USA)

Vladimir Krivtsov (University of Edinburgh, UK)

Lev V. Nedorezov (Russian Academy of Sciences, Russia)

Santanu Ray (Visva-Bharati University, India)

TianShou Zhou (Sun Yat-Sen University, China)

Editorial Office: [networkbiology@iaees.org](mailto:networkbiology@iaees.org)

Publisher: International Academy of Ecology and Environmental Sciences

Website: <http://www.iaees.org/>

E-mail: [office@iaees.org](mailto:office@iaees.org)