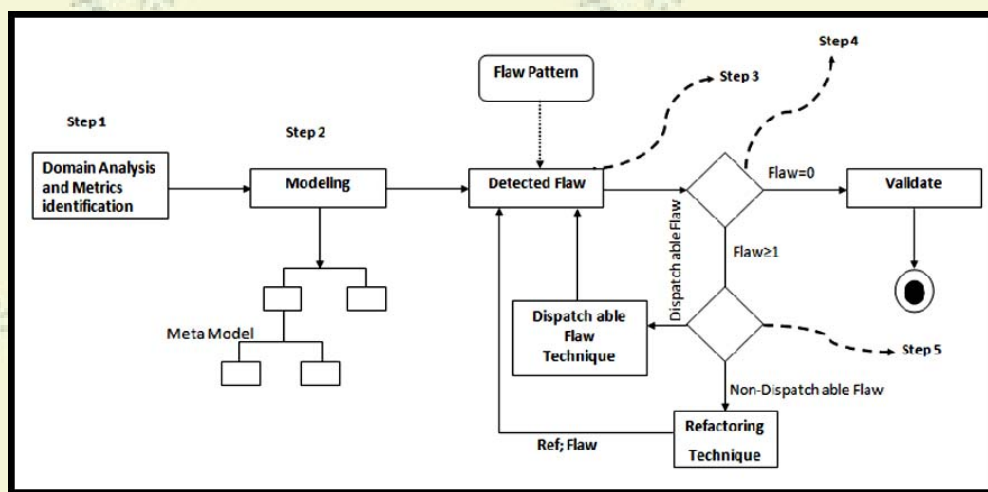


Selforganizology

Vol. 2, No. 3, 1 September 2015



ISSN 2410-0080



9 772410 008006 >

International Academy of Ecology and Environmental Sciences

Selforganizology

ISSN 2410-0080

Volume 2, Number 3, 1 September 2015

Editor-in-Chief

WenJun Zhang

Sun Yat-sen University, China

International Academy of Ecology and Environmental Sciences, Hong Kong

E-mail: zhwj@mail.sysu.edu.cn, wjzhang@iaees.org

Editorial Board

Awf Al-Kassir (University of Extremadura, Spain)

Ramiz M. Aliguliyev (National Academy of Sciences, Azerbaijan)

Andre Bianconi (Sao Paulo State University (Unesp), Brazil)

Chris Cannings (University of Sheffield, UK)

Manuel De la Sen (University of Basque Country, Spain)

Alessandro Ferrarini (University of Parma, Italy)

Zeljko Kanovic (University of Novi Sad, Serbia)

Xin Li (Northwest A&F University, China)

Abdul Qadeer Khan (University of Azad Jammu & Kashmir, Pakistan)

Zdzislaw Kowalczyk (Gdansk University of Technology, Poland)

Muhammad Naeem (Abbottabad University of Science and Technology, Pakistan)

Lev V. Nedorezov (Russian Academy of Sciences, Russia)

Quanke Pan (Northeastern University, China)

Sergio Valero Verdu (Universidad Miguel Hernandez de Elche, Spain)

Hafiz Abdul Wahab (Hazara University, Pakistan)

ZhiGuo Zhang (Sun Yat-sen University, China)

Editorial Office: selforganizology@iaees.org

Publisher: International Academy of Ecology and Environmental Sciences

Address: Unit 3, 6/F., Kam Hon Industrial Building, 8 Wang Kwun Road, Kowloon Bay, Hong Kong

Tel: 00852-2138 6086

Fax: 00852-3069 1955

Website: <http://www.iaees.org/>

E-mail: office@iaees.org