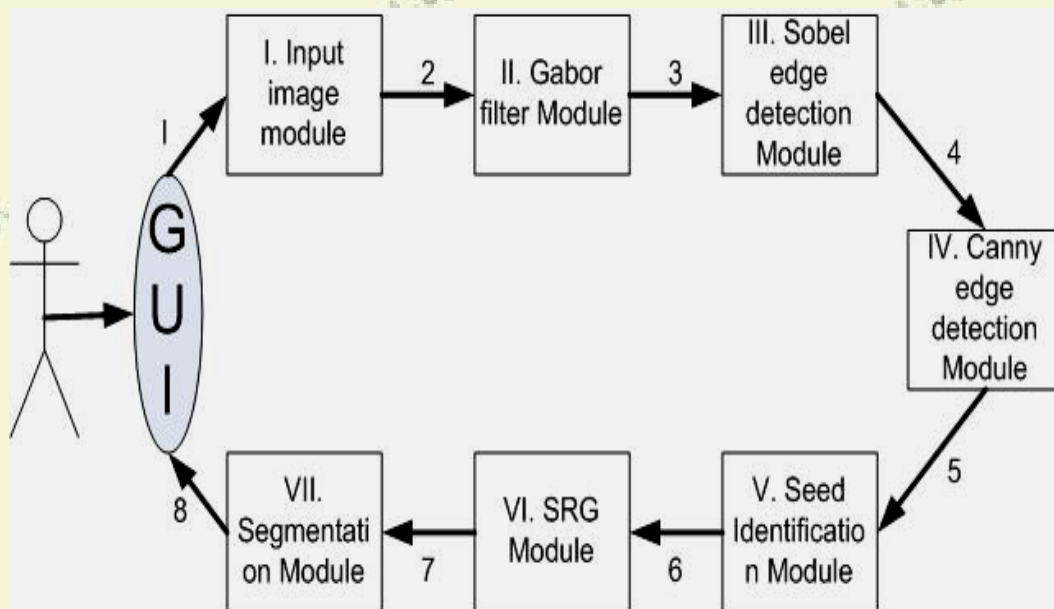


# Selforganizology

Vol. 3, No. 3, 1 September 2016



ISSN 2410-0080



International Academy of Ecology and Environmental Sciences

# **Selforganizology**

ISSN 2410-0080

Volume 3, Number 3, 1 September 2016

## **Editor-in-Chief**

WenJun Zhang

Sun Yat-sen University, China

International Academy of Ecology and Environmental Sciences, Hong Kong

E-mail: zhwj@mail.sysu.edu.cn, wjzhang@iaees.org

## **Editorial Board**

Awf Al-Kassir (University of Extremadura, Spain)

Ramiz M. Aliguliyev (National Academy of Sciences, Azerbaijan)

Andre Bianconi (Sao Paulo State University (Unesp), Brazil)

Chris Cannings (University of Sheffield, UK)

Manuel De la Sen (University of Basque Country, Spain)

Alessandro Ferrarini (University of Parma, Italy)

Zeljko Kanovic (University of Novi Sad, Serbia)

Xin Li (Northwest A&F University, China)

Abdul Qadeer Khan (University of Azad Jammu & Kashmir, Pakistan)

Zdzislaw Kowalczyk (Gdansk University of Technology, Poland)

Muhammad Naeem (Abbottabad University of Science and Technology, Pakistan)

Lev V. Nedorezov (University of Nova Gorica, Slovenia)

Quanke Pan (Northeastern University, China)

Sergio Valero Verdu (Universidad Miguel Hernandez de Elche, Spain)

Hafiz Abdul Wahab (Hazara University, Pakistan)

ZhiGuo Zhang (Sun Yat-sen University, China)

Editorial Office: [selforganizology@iaees.org](mailto:selforganizology@iaees.org)

Publisher: International Academy of Ecology and Environmental Sciences

Address: Unit 3, 6/F., Kam Hon Industrial Building, 8 Wang Kwun Road, Kowloon Bay, Hong Kong

Tel: 00852-2138 6086

Fax: 00852-3069 1955

Website: <http://www.iaees.org/>

E-mail: [office@iaees.org](mailto:office@iaees.org)